



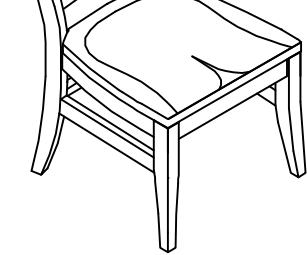
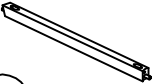
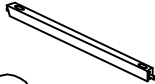
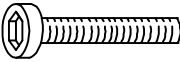
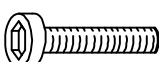
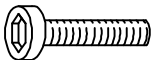






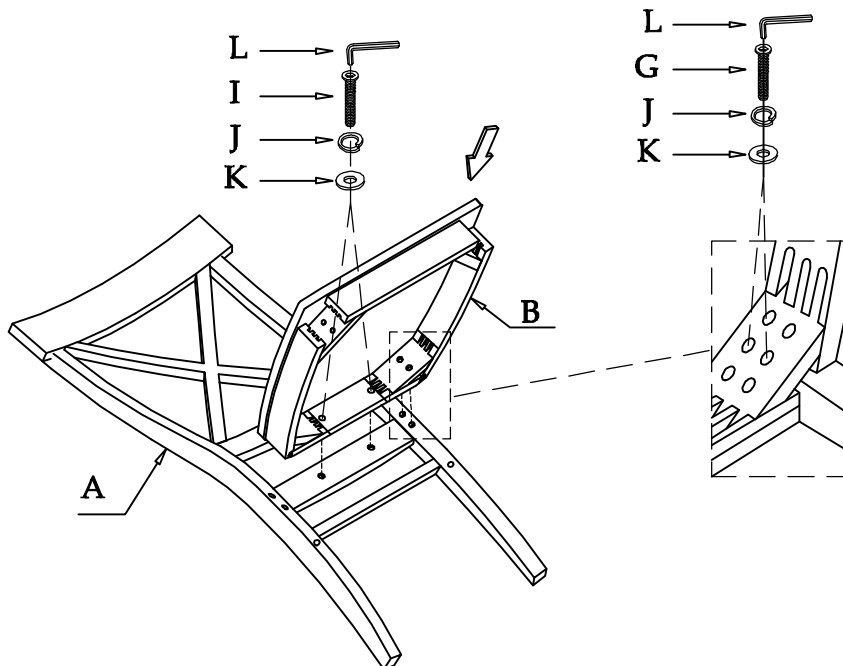
Warning

- Be sure to check all packing material carefully for small parts, which may have come loose inside the carton during shipment.
- To prevent possible scratches and damage, this furniture must be assembled on a soft surface such as a blanket or carpet.

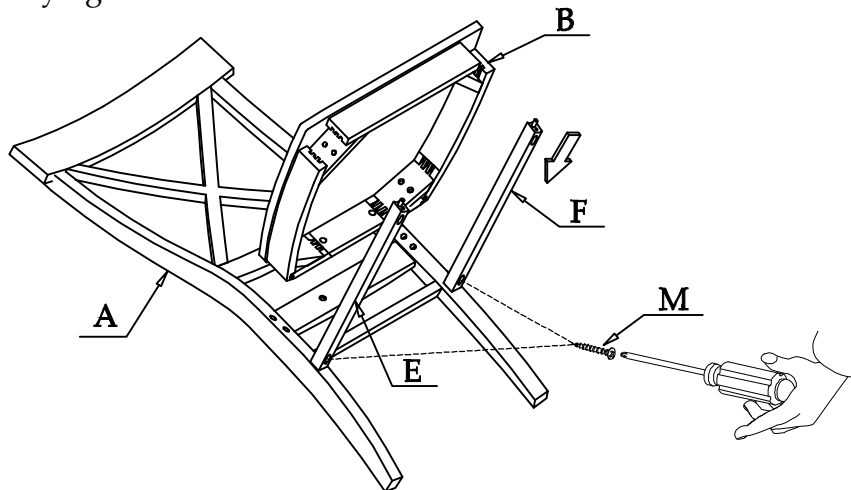
Components and Hardware List

<p>Chair Back</p>  <p>A 1PC</p>	<p>Chair Seat</p>  <p>B 1PC</p>	<p>Left Leg</p>  <p>C 1PC</p>	<p>Right Leg</p>  <p>D 1PC</p>	 <p>#60257 X-Back Side Chair</p>	
<p>Left Stretcher</p>  <p>E 1PC</p>	<p>Right Stretcher</p>  <p>F 1PC</p>	<p>5/16" x 18 x 3 1/2" Allen Head Bolt</p>  <p>G 4PCS</p>	<p>5/16" x 18 x 2 1/2" Allen Head Bolt</p>  <p>H 4PCS</p>		
<p>5/16" x 18 x 1 1/2" Allen Head Bolt</p>  <p>I 2PCS</p>	<p>5/16" x 12mm x 3mm Spring Washer</p>  <p>J 10PCS</p>	<p>5/16" x 19mm x 2mm Flat Washer</p>  <p>K 10PCS</p>	<p>5mm Allen key</p>  <p>L 1PC</p>		<p>#8 x 1 1/2" Wood Screw</p>  <p>M 4PCS</p>

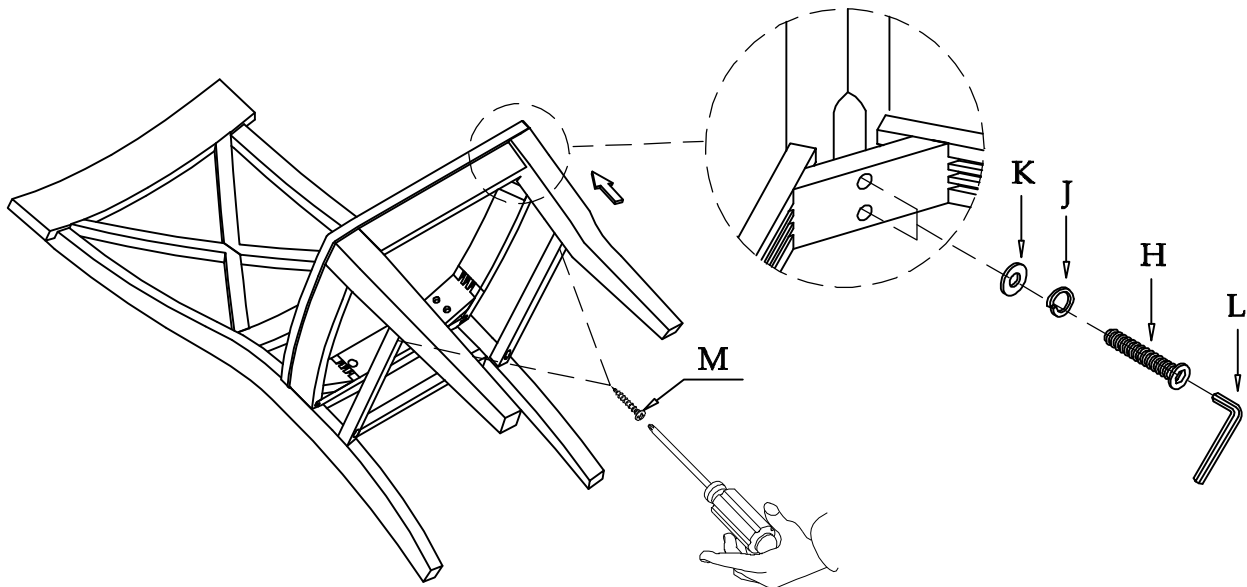
Step 1: Do not fully tighten the bolts



Step 3: Do not fully tighten the screw



Step 4: Using the Allen Key to tighten all bolts



Step 5: Using a Phillips head screw driver to tighten all screw

COMPLETE

